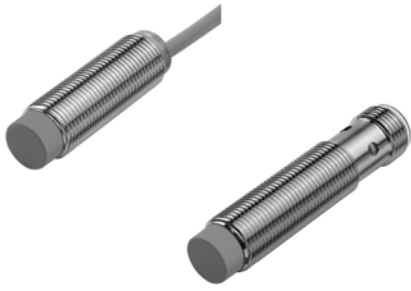


1
.1.1

Proximity Sensors, Inductive Sensors, cylindrical



Properties

- Ø12 mm housing
- 4 mm and 8 mm, non-flush mountable versions
- DC, 2-wire switching output
- Cable and connector versions

Technical Data

For detailed data and product description refer to the data sheets at www.pepperl-fuchs.com

General Data

Installation	non-flush
Type of voltage	DC
Operating current	2 ... 100 mA
Short-circuit protection	pulsing
Indication of the switching state	LED, yellow
Protection degree	IP67

Model Number

	green = preferred type	NBN4-12GM40-Z0	NCN4-12GM40-Z0	NCN4-12GM40-Z1	NCN8-12GM35-Z4	NCN8-12GM35-Z5	NBN4-12GM40-Z0-V1	NCN4-12GM40-Z0-V1	NCN4-12GM40-Z1-V1	NCN8-12GM40-Z4-V1	NCN8-12GM40-Z5-V1
Rated operating distance	4 mm	●	●	●	●	●	●	●	●	●	●
	8 mm										
Switching element function	DC NO	●	●	●	●	●	●	●	●	●	●
	DC NC			●	●	●				●	●
Operating voltage	3.5 ... 30 V	●	●	●	●	●	●	●	●	●	●
	5 ... 60 V										
Reverse polarity protection	conducting tolerant	●	●	●	●	●	●	●	●	●	●
Switching frequency	0 ... 750 Hz										
	0 ... 800 Hz		●	●	●	●					
	0 ... 1000 Hz	●					●				
Pre-fault indication	LED, red				●	●				●	●
Ambient temperature	-25 ... 70 °C (-13 ... 158 °F)	●	●	●	●	●	●	●	●	●	●
	-40 ... 70 °C (-40 ... 158 °F)										●
Housing material	Stainless steel 1.4305 / AISI 303		●	●				●	●	●	
	brass, nickel-plated	●			●	●	●	●	●	●	●
Connection type	Device connector M12 x 1, 4-pin						●	●	●	●	●
	cable PUR, 2 m	●	●	●							
	cable PVC, 2 m	●			●	●					

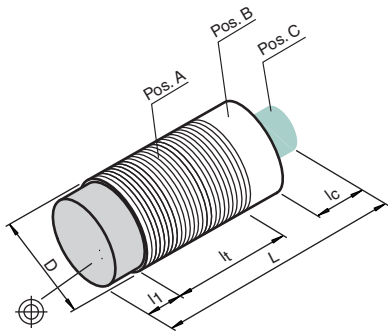
Approvals and Certificates

UL approval	cULus Listed, General Purpose	●	●	●	●	●	●	●	●	●	●
CSA approval	cCSAus Listed, General Purpose	●	●	●	●	●	●	●	●	●	●
CCC approval	Certified by China Compulsory Certification (CCC)	●	●	●			●	●	●		

Products with a maximum operating voltage of ≤36 V do not bear a CCC marking because they do not require approval.

Dimensions

Length L [mm]	40	35	55
Diameter D [mm]		12	
Thread length l _t [mm]	32	27	34
Cap length l ₁ [mm]		5	
Connector area l _c [mm]		0	6
LED position			Pos. C

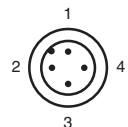
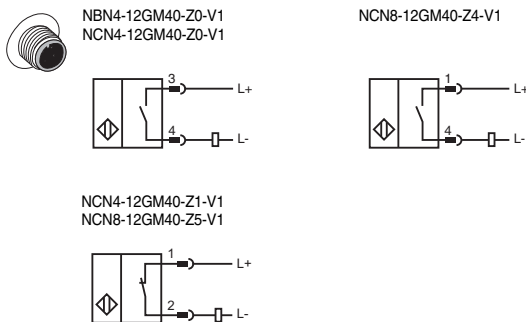
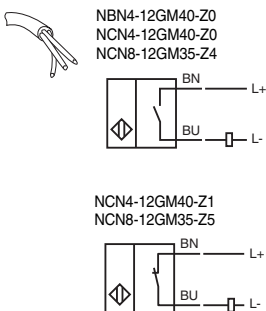


Accessories

This and more accessories can be found in chapter 10
See pages from 972 ... for cordsets See pages 1068 ... for mounting aids

- BF 12** Mounting flange, 12 mm
- V1-G-BK** 4-pin, M12 female field-attachable connector
- V1-W-BK** 4-pin, M12 female field-attachable connector
- V1-G-2M-PUR** Cable socket, M12, 4-pin, PUR cable
- V1-W-2M-PUR** Cable socket, M12, 4-pin, PUR cable

Electrical Connection



Wire colors in accordance with EN 60947-5-2

1	BN	(brown)
2	WH	(white)
3	BU	(blue)
4	BK	(black)